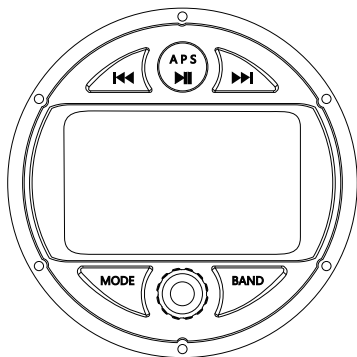


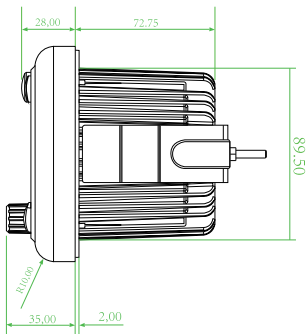
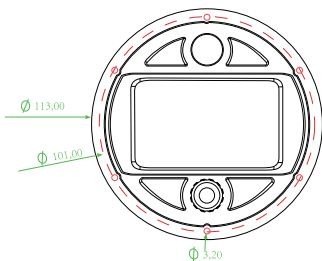
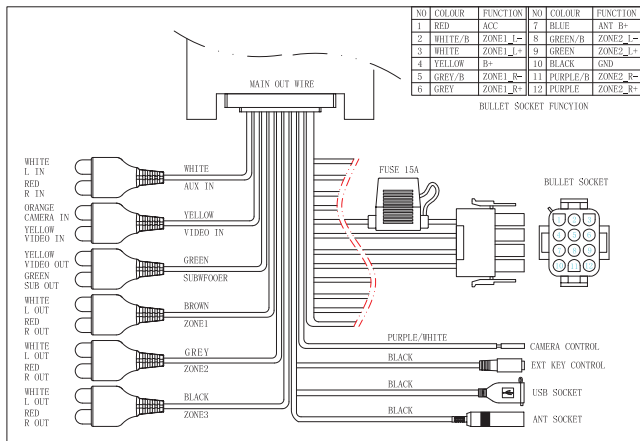
 **AUDIOFORMZ PMC-2**

Media Center

Gauge Style Media Center

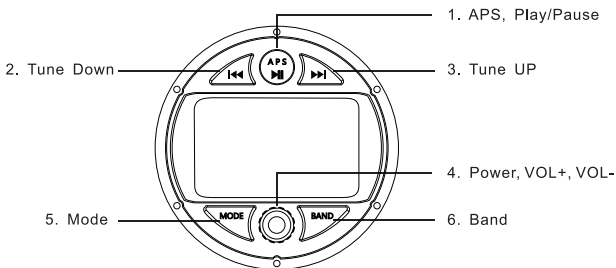


INSTALLATION OVERVIEW



OPERATION

The button layout below will give you a quick overview of the button functionality.



Function:	How To:
Power On	Press the Power (4) button once.
Power Off	Hold the Power (4) button for 2 seconds.
Volume Up	Rotate the (4) button to left.
Volume Down	Rotate the (4) button to right.
Seek Up	Press APS (1) once.
Tune Up	Hold down Tune Up (3).
Tune Down	Hold down Tune Down (2).
Pause/Play	Press Play/Pause (1) once.
Audio/Settings	Press(4) short one by one.

Sources

To change any of the sources, press the Mode (5) button on the Radio. Continue to press Mode until the desired source is reached.

OPERATION

FM Source:

Function:

Seek Up:

Press the APS (1) button once.

Tune Up:

Hold Tune Up (3) button for 1 second. Then press (3) once.

Tune Down:

Hold Tune Down (2) button for 1 second. Then press (2) once.

AM Source:

Function:

Seek Up:

Press the APS (1) button once.

Tune Up:

Hold Tune Up (3) button for 1 second. Then press (3) once.

Tune Down:

Hold Tune Down (2) button for 1 second. Then press (2) once.

Presets:

Press and Hold APS (1) button. Programs strongest stations into FM and AM Presets. Pressing Tune Up (3) and Tune Down (2) will change preset stations. To set a custom preset, press Tune Up (3) for desired preset number. Then use Manual Tune to change to desired station. Press Play/Pause to set new station into preset number.

OPERATION

Sources

USB Source:

Function:

Next Track:

Press the Seek Up (3) button once.

Previous Track:

Press the Seek Down (2) button once.

Fast Forward:

Hold Tune Up (3) button.

Rewind:

Hold Tune Down (2) button.

Pause:

Press the Play/Pause (1) button.

Repeat:

Press BAND(6) to Repeat

Search:

Bluetooth (BT) Source:

Function:

Next Track:

Press the Seek Up (3) button once.

Previous Track:

Press the Seek Down (2) button once.

Pause:

Press the Play/Pause (1) button.

BT Source Cont.

Pairing Mode:

When BT MUSIC is flashing, the PMC-2 pairing mode.

Locate the device name on your phone to pair.

OPERATION

Device Name: PMC-2

VOL-/VOL+/SELECT: Turn counterclockwise to decrease the volume or clockwise to increase the volume. Press the knob to enter the main/zone volume settings. Keep pressing the knob to cycle through the main/zone options (MAIN, ZONE 1, ZONE 2,ZONE 3,SUB-W).Turn the knob to adjust the selected option.

Settings

Press and Hold Mode (5) to enter Settings Menu. Press and Release Mode (5) to change Menu Items. To adjust setting, Rotate the knob (4) . Adjustable settings are: Bass, Treble, Balance, Fader, Beep, EQ, Loud, and Tuner Region.
