



## CFMoto UForce 1000 XL 4-Door

 We highly recommend the installation of this stereo top to be performed by an authorized AudioFormz dealer. Warranty of stereo top and/or components may be voided if not installed correctly.




INCLUDED HARDWARE	
QTY	ITEM
2	2" Clamps
2	2" Bolts
8	1/4" Nylon Lock Nuts
6	1/4" x 1.5" Bolts
2	1 1/4" Washers
2	1" Washers
4	1/4" Washers



**Step 1** (Repeat this step for both sides)


**A) Install the REAR light bar on the top first.** Place the 2" Clamps on the middle roll bar (B-pillar); and set the top on the roll cage and line it up.



**B) Use a 1/4" Drill bit to drill a hole through the top near the front (A-pillar) as shown** →

**C) Place the bolt through the top; Put the washer and nut on, but do not tighten.** (Tighten these bolts after the rest of the top is secure in Step 3B)

**1B**



**Step 2** (Repeat this step for both sides)

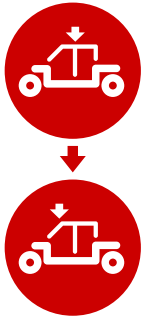
**A) There is a threaded location in the back of the roll cage (C-pillar). Use a small drill bit to make a pilot hole first.**

**B) Pull the back of the top out and use a 3/8" drill bit to drill out the pilot holes as shown** →

**C) With the 1/4" x 1.5" bolts, nuts and washers provided, secure the back of the top.**

**\*NOTE: The rear light bar wire will fit over the rear roll bar**

**2B**



**Step 3** (Repeat this step for both sides)

**A)** There are 2 square indentions in the top where the middle roll bar (B-pillar) goes. Use a small drill bit to make a pilot hole and install the self-tapping screw through the clamp →

**B)** Install the **FRONT** light bar on the top, and tighten the hardware installed in Step 1C at the front of the top.

3A



**Step 4**

**A)** Run the wire down the roll cage.

**B)** Fuse holder must be properly installed within 18" of the battery during stereo top installation →

**C)** Connect to the battery on the passenger side.

4B



**For any other questions or concerns please contact us at:**

**(888) 919-1990**

**or**

**info@audioformz.com**



**Control your lights with our app!**

**AF LED**



Download on the  
**App Store**



GET IT ON  
**Google Play**