


Polaris Ranger XP 1000 2-Door & 4-Door Models




We highly recommend the installation of this stereo top to be performed by an authorized AudioFormz dealer. Warranty of stereo top and/or components may be voided if not installed correctly.




FRONT HARDWARE	
QTY	ITEM
2	1/4"-20 x 2.5" Bolts
2	Large Fender Washers
2	1" Flat Washers
1	1/4"-20 Nylon Lock Nuts
REAR HARDWARE	
2	1/4"-20 x 2.5" Bolts
2	1" Flat Washers
2	Silver Washers
1	1/4"-20 Nylon Lock Nuts


4-DOOR MODELS INCLUDE:	
QTY	ITEM
2	1 1/4" P-Clamps
2	Self-Tapping Screws




↓



↓



Step 1 Remove the existing roof


A) Using the predrilled holes, install the REAR light bar on the new roof first.  **1A** →


B) Northstar Models: Unplug the roof harnesses near the doors and rear driver's side corner.

C) Remove the existing roof.


D) 4-Door Models: Place the two 1 3/4" clamps provided on the middle bar (b-pillar), with the mounting holes pointing towards the back of the roof.

1A






↓



Step 2 Set the new roof on roll cage

A) Set the top on the roll cage and line it up.

B) IMPORTANT: PUSH THE ROOF ALL THE WAY FORWARD, making sure the roof is even on both sides in the rear.




We recommend 2+ people to help install
Roofs require team lift!

IMPORTANT: If roof does not sit properly, check roll cage for squareness. All 4 corners should have equal measurements. Loosen upper cage bolts to adjust if necessary. Contact AudioFormz for further assistance.

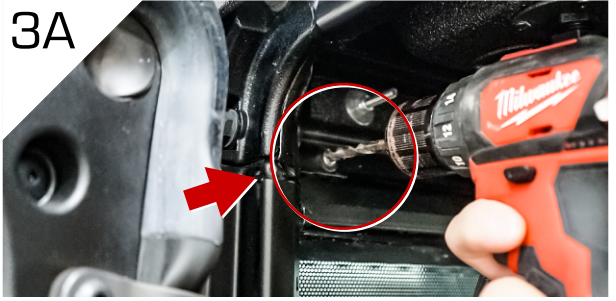


Repeat this step for both sides

Step 3 Secure the rear part of the roof


A) There is a factory threaded hole in the back of the roll cage. Use a small drill bit to make a pilot hole first. Then with a 1/4" bit, drill out the pilot hole as shown.  **3A** →


B) With the 1/4"-20 x 2.5" bolts and washers provided, secure the back of the top.

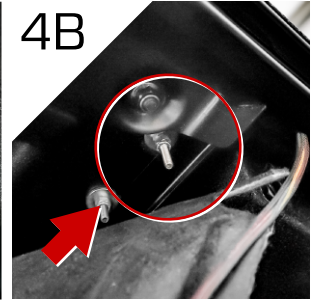


Repeat this step for both sides

Step 4 Secure the front of the roof


A) Make sure the roof is lined up and place a 1/4"-20x 2.5" bolt with the large fender washer through the pre-drilled mounting holes at the top of the roof.  **4A** →

B) Hand tighten the nylon lock nut with the silver washer from underneath.  **4B** →

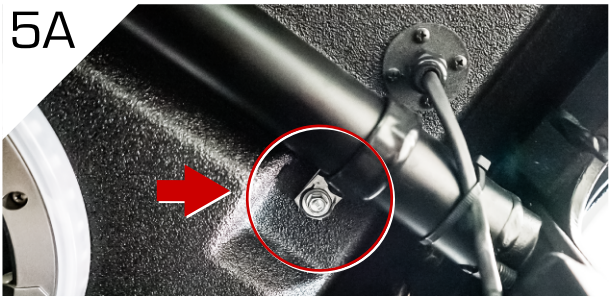


Repeat this step for both sides


Step 5 Secure the middle of the roof

A) 4-Door Models: There are 2 square indentations on each side of the roof near the middle roll bar (B-pillar), with white dots to indicate where to install the 1 3/4" clamps (From **Step 1D**). Use the self-tapping screw provided to secure the clamp as shown.  **5A** →
(There is metal laminated in the roof at this spot to support the screw).

B) Tighten all bolts and nuts from the previous steps.



Step 6 Connect roof to power

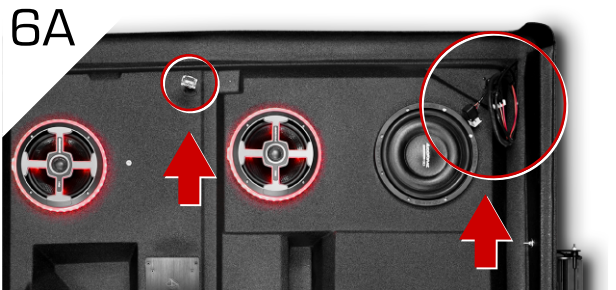
A) Northstar Models: Connect the roof harnesses near the doors and rear driver's side corner to the new roof.  **6A** →

B) Run the wire down the roll cage to the battery. **Fuse holder must be properly installed within 18" of the battery.** Connect to the battery on the passenger side.



Fuse Holder / Battery Installation guide (PDF)

→ Audioformz.com/battery-connection/install



For any other questions or concerns please contact us at:

(888) 919-1990 or info@audioformz.com

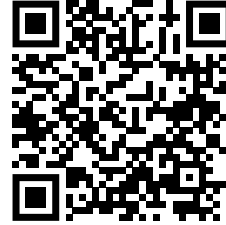


To download and install the AF LED app for your smartphone, tap or scan here ➔



AF LED App / RF Remote Operation Instructions (PDF)


➔ Audioformz.com/af-led-operation



Audioformz.com/af-led

AudioFormz Roof Rack

Ranger - 2-Door/4-Door



We highly recommend the installation of this roof rack to be performed by an authorized AudioFormz dealer. Warranty of stereo top and/or components may be voided if not installed correctly.



MOUNTING HARDWARE			
QTY	ITEM	QTY	ITEM
2	1/4"-20 x 5" SS Bolts (Front)	2	1 1/4" SS Washers (Front top)
4	1/4"-20 x 2.5" SS Bolts	10	1" SS Washers
6	1/4"-20 Nylon Lock Nuts	2	Rubber Spacers (Front)

ASSEMBLY HARDWARE (4-Door)	
QTY	ITEM
24	Allen Head SS Bolts
24	SS Locking Flange Nuts
2	Wiring Harnesses
1	Light Bar Adjusting Tool
	Assorted Zip Ties


ASSEMBLY HARDWARE (2-Door)	
QTY	ITEM
8	Allen Head SS Bolts
8	SS Locking Flange Nuts
2	Wiring Harnesses
1	Light Bar Adjusting Tool
	Assorted Zip Ties



Step 1

Place the rack on the floor upside-down as shown ↓

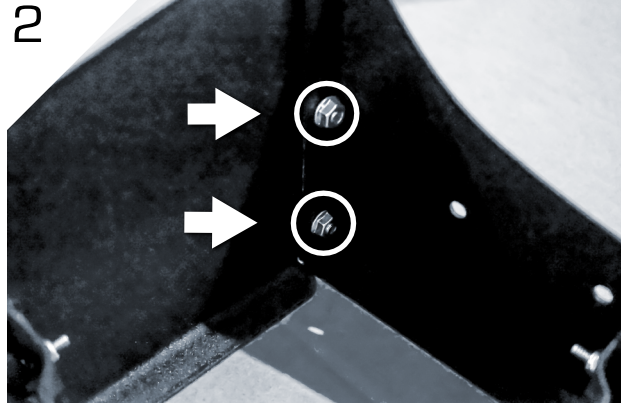

1

Step 2

Attach the rear section to the sides using the supplied hex bolts and locking nuts as shown, but do not tighten. ↓

2

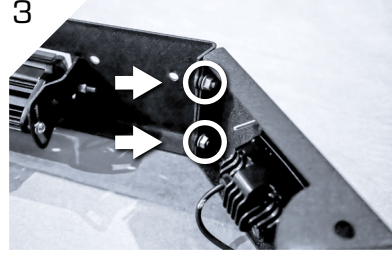



Step 3

Attach the front section to the sides using the supplied hex bolts and locking nuts as shown →

NOTE: Do not tighten bolts and nuts until AFTER roof rack is secured to the roof

3

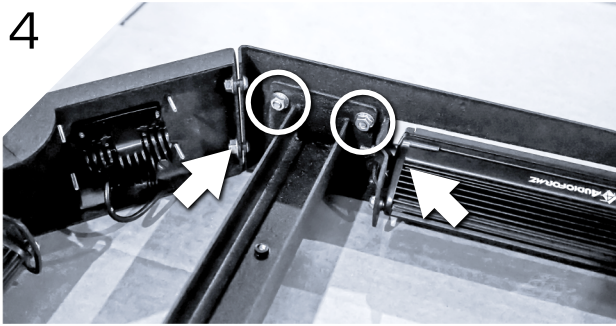




Step 4

Attach the center braces to the sides using the supplied hex bolts and locking nuts as shown ↓

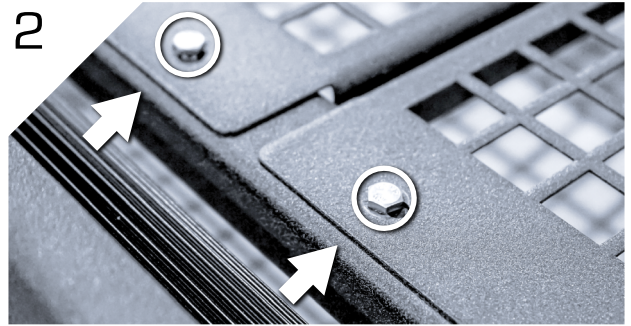
4



Step 5 (For models without a mesh platform, skip to Step 6.)

Flip the roof rack over and attach the mesh platform with the supplied hex bolts and locking nuts as shown ↓

2



Step 6

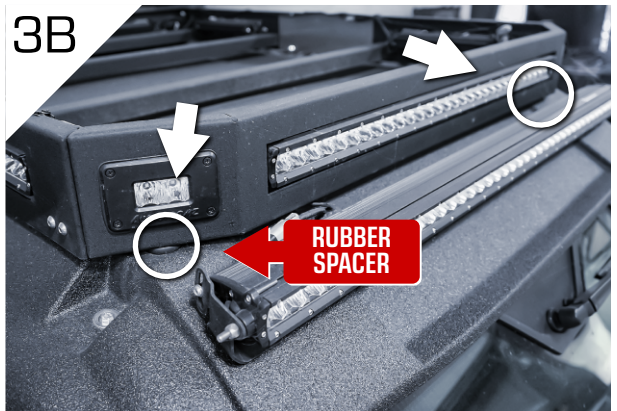
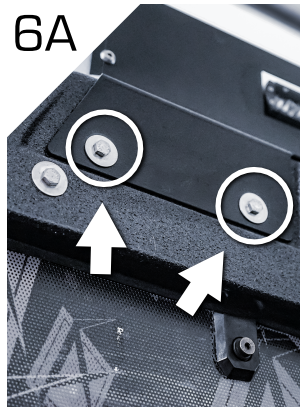
A) With all bolts tightened, Set the roof rack on top of the roof and connect all lights. Secure the rear section of the roof rack to the back of the roof using the supplied hex bolts, locking nuts and washers as shown →

NOTE: Rear of roof will be marked with white dots to drill through.

RTV Silicone is recommended to be applied under washers before securing back to roof to prevent any future leaks.

B) Using the two front mounting holes of the rack as a guide, use a 3/8" bit to drill out a pilot hole through the roof from the bottom using the factory bolt holes shown →

C) Secure the front section of the roof rack using the supplied rubber spacers, hex bolts and locking nuts at the locations shown. →



For any other questions or concerns please contact us at:

(888) 919-1990 or info@audioformz.com